

DHI-ARC3800H-W2

Dahua Wireless Alarm Hub 2



Series Overview

The Alarm Hub manages the wireless alarm devices in your system to alert you when doors are broken into, windows are opened, glass breaks, fires break out and water leaks. If an intruder breaks in, the hub notifies the alarm receiving center and the mobile app (DMSS or DoLynk Care), and sends videos from the PIR Camera and IPC so that you can stay up to date on events, without the hassle of personally monitoring your scene.

- Supports alarm video verification through integration of the IPC with the hub.
- Images can be remotely and quickly transferred from the PIR-Cam to the device.
- Supports wired and AP network configuration methods, which makes it easier to add the hub to apps and to switch to the hub's network.
- Supports multi-network redundancy for Ethernet and Wi-Fi to ensure the network remains stable and reliable.
- Supports two-way communication and frequency hopping to make communication with wireless peripherals stable and reliable.
- Features cloud update. You can also remotely update the device and wireless peripherals on the mobile app.
- Offers a dual backup system, and uses auto recovery when an update fails.

Technical Specification

Port

| | |
|----------------------|---|
| Wired Input | Expandable 64 channels |
| Wired Output | Expandable 64 channels |
| Area | 32 areas (rooms) |
| Connected Peripheral | 150 peripherals (including wireless and wired devices): Specifically, up to wireless 64 keyfobs up to 8 wireless keypads up to 6 wireless sirens (including 4 intercom sirens) up to 6 wireless repeaters up to 64 wireless PIR-Cam (including Indoor PIR Cameras, Outdoor PIR Cameras, and Triple-tech Detectors) up to 16 Multi I/O Transmitters up to 16 RS-485 Expander modules (including Input Expander and Output Expander) |
| Network Mode | Ethernet and Wi-Fi |
| Network Port | 1 RJ-45, 10 Mbps/100 Mbps Ethernet port. |
| Storage Battery | One built-in 4,750 mah rechargeable lithium battery. |

Video & Audio

| | |
|-----------------|----------------------|
| Video Input | up to 8 onboard IPCs |
| Audio Output | 1 channel |
| Volume Control | Yes |
| Voice Broadcast | Local speaker |

Function

| | |
|-----------------------|--|
| Indicator Light | The indicator indicates the status of alarms, arming and disarming, the network connection and device failure. |
| Button | Includes a reset button, voltage button and AP switch button. |
| Video Linkage | Yes |
| Offline Cache | Stores up to 50 alarm messages. |
| Arm and Disarm | App, keyboard, remote control, card, scheduled arming and disarming. |
| Remote Update | Cloud update |
| Low Battery Detection | Yes |
| Tamper | Yes |
| User Management | 33 app users (31 general users, 1 admin user and 1 installer) and 32 keypad users |
| Logs | Up to 5,000 entries |
| Transmission Protocol | SIA, SoftGuard |

Technical

| | |
|-------------------|---|
| Operating Current | 220 VAC power supply: 98.2 mA (max) 12.2 mA (standby) DC3.7V Battery-powered: 1664.9 mA (max) 381.1 mA (standby) |
|-------------------|---|

Wireless

| | |
|-------------------|-----------------|
| Carrier Frequency | 433.1–434.6 MHz |
|-------------------|-----------------|

| | |
|--------------------------|--|
| Transmitter Power (EIRP) | Limit 10 mW |
| Communication Mechanism | Two-way |
| Communication Distance | Up to 1,400 m (4593.18 ft) in an open space. |
| Encryption Mode | AES128 |
| Frequency Hopping | Yes |

General

| | |
|-----------------------|---|
| Language | Supports 18 languages: Arabic, Czech, Danish, Dutch, English, French, German, Italian, Portuguese (Europe), Russian, Spanish (Latin America), Spanish (Europe), Turkish, Slovak, Polish, Greek, Bulgarian, Estonian. It is set as English by default |
| Power Supply | 100–240 VAC, 50/60 Hz |
| Standby Time | The battery lasts up to 12 hours when it is fully charged and is within the following conditions: It is connected to the Wi-Fi, its ID is connected to the alarm receiving center, the heartbeat interval is 1,800 seconds, and it is connected to 8 peripherals and the cloud. |
| Power Consumption | 220 VAC power supply: 21.6 W (max) 2.7 W (standby) DC3.7V Battery-powered: 6.2 W (max) 1.41 W (standby) |
| Operating Temperature | When battery is not charging: -10 °C to +55 °C (+14 °F to +131 °F) When battery is charging : 0 °C to +45 °C (+32°F to +113 °F) |
| Operating Humidity | 10%–90% (RH) |
| Product Dimensions | 174.8 mm × 174.8 mm × 38.3 mm (6.88" × 6.88" × 1.51") (L × W × H) |
| Net Weight | 510 g (1.12 lb) |
| Gross Weight | 860 g (1.90 lb) |
| Installation | Supports wall mount and desktop mount installation. |
| Casing Material | PC + ABS |
| Certifications | CE |
| Anti-corrosion Level | Basic Protection *The products are designed for general use and are applicable even in areas with no specific requirements for anti-corrosion protection. |
| Storage Temperature | -10 °C to +55 °C (+14 °F to +131 °F) |
| Storage Humidity | 10%–90% (RH) |
| Packaging Dimensions | 254 mm × 211 mm × 61 mm (10.00" × 8.31" × 2.40") (L × W × H), standalone in the inner box 524 mm × 508 mm × 442 mm (20.63" × 20.00" × 17.40") (L × W × H), protective case |

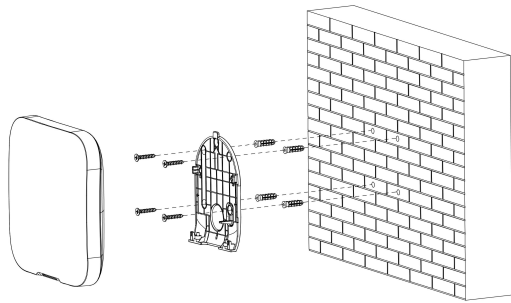
Wi-Fi

| | |
|--------------------------|-------------------------|
| Wi-Fi Standard | IEEE 802.11b/g/n |
| Wi-Fi Frequency Range | 2400-2483.5 MHz |
| Wi-Fi Power Transmission | ≤20 dBm@2400-2483.5 MHz |

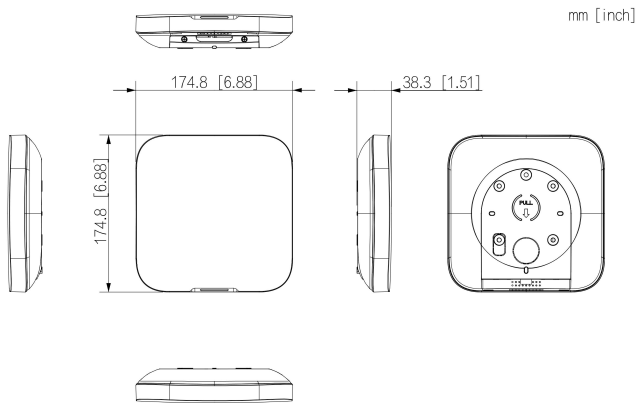
Ordering Information

| Type | Model | Description |
|-----------|-----------------|----------------------------|
| Alarm Hub | DHI-ARC3800H-W2 | Dahua Wireless Alarm Hub 2 |

Installation



Dimensions (mm[inch])



Application

